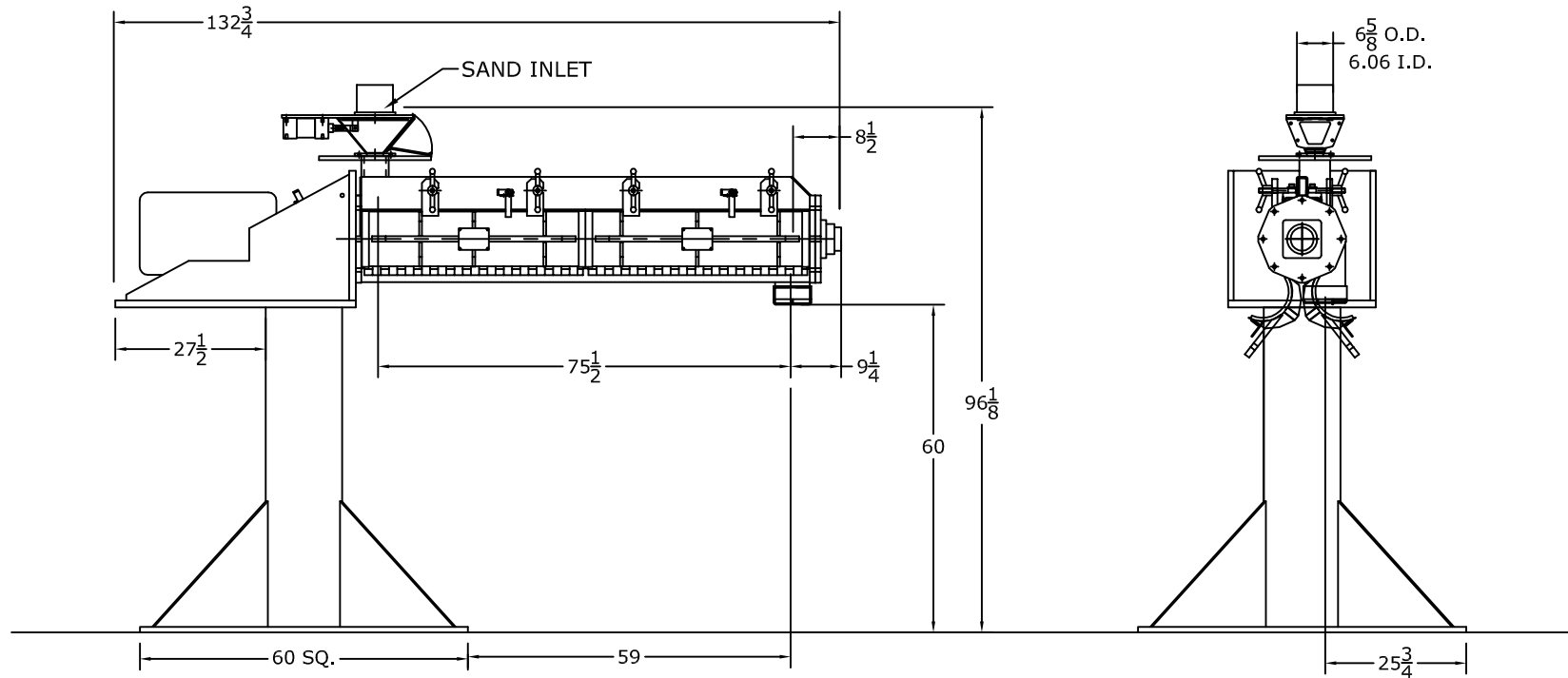
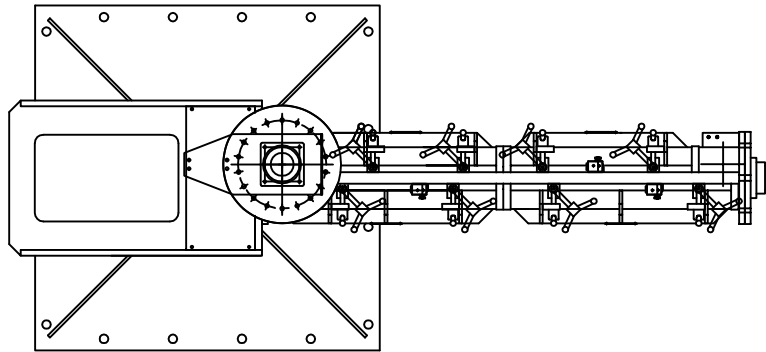


**SAMPLE DRAWING**

FOR QUOTATION  
PURPOSES ONLY



PROPRIETARY AND CONFIDENTIAL - THE INFORMATION CONTAINED IN THIS DRAWING IS THE SOLE PROPERTY OF PALMER MANUFACTURING. ANY REPRODUCTION IN PART OR AS A WHOLE WITHOUT THE WRITTEN PERMISSION OF PALMER MANUFACTURING IS STRICTLY PROHIBITED.

REV	ECN	DATE	UNLESS OTHERWISE SPECIFIED	NAME	DATE
			DIMENSIONS ARE IN INCHES	DRAWN	SLW 6/3/08
			TOLERANCES:	APPROVED	
			FRACTIONAL ±1/16	NOTE:	
			ANGULAR: MACH ±1 BEND ±1	CUSTOMER	
			ONE PLACE DECIMAL ±.150		
			TWO PLACE DECIMAL ±.030		
			THREE PLACE DECIMAL ±.005		
			MATERIAL		
			FINISH		
			WEIGHT	PART NO.	
				N/A	

**PALMER** 18 BECHTLE AVE  
SPRINGFIELD, OH 45504 U.S.A.  
(937) 323-6339  
MANUFACTURING & SUPPLY, INC. (800) 457-5456

TITLE **M500XLD FIXED BASE MIXER**

SIZE DWG. NO. REV  
**A M11052 -**

NONE DO NOT SCALE 1 OF 1